

# SPOTLIGHT WALLCHARGER AMBIENTE LIGHT & POWER CHARGER

## SWC 100



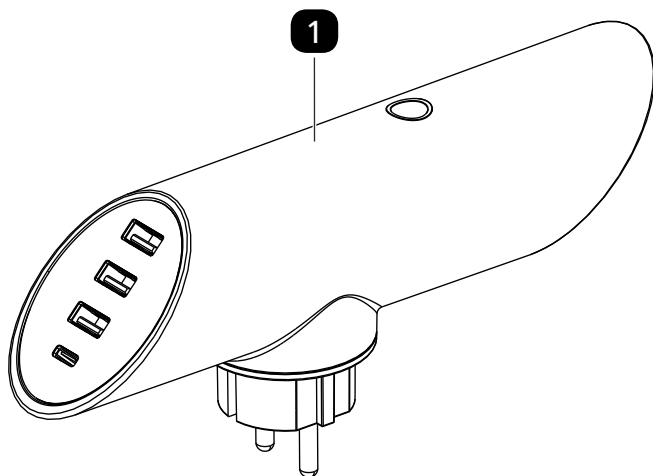
### USER MANUAL



info@justsmart.tech

SWC 100

## Overview



# Table of content

<b>Overview</b> .....	<b>2</b>
<b>Package contents</b> .....	<b>4</b>
<b>General information</b> .....	<b>5</b>
Reading and storing the user manual.....	5
<b>Proper use</b> .....	<b>5</b>
<b>Explanation of symbols</b> .....	<b>5</b>
<b>Safety</b> .....	<b>6</b>
Safety notes.....	6
<b>Before first use</b> .....	<b>8</b>
Package contents.....	8
<b>Operation</b> .....	<b>9</b>
Connecting the product.....	9
Switching the light on and off.....	10
Charging/operating a USB device.....	10
<b>Cleaning</b> .....	<b>10</b>
<b>Storage</b> .....	<b>11</b>
<b>Technical data</b> .....	<b>11</b>
<b>Disposal</b> .....	<b>12</b>
Disposing of packaging.....	12
Dispose of old electrical device.....	12
<b>Declaration of conformity</b> .....	<b>12</b>

This user manual can be obtained in PDF format at any time by sending an e-mail to [info@justsmart.tech](mailto:info@justsmart.tech).

## Package contents

- 1 Spotlight wall charger  
User manual (not shown)

## General information

### Reading and storing the user manual



This user manual is a part of the spotlight wall charger (hereinafter called "product"). It contains important information on how to set up and use the device.

Read the user manual carefully, in particular the safety instructions, before using the product. Failure to follow this user manual may lead to severe injuries or product damage.

This user manual is based on the standards and regulations that are valid within the European Union. Outside the EU, please also note the country-specific directives and laws.

Keep this user manual for future reference. If you pass this product on to a third party, you must also supply this user manual.

### Proper use

This product has been designed for supplying up to 4 USB devices (such as smartphones and tablets) with power and as an indirect wall spotlight. The product has been exclusively designed for use in dry and closed indoor rooms.

The product is intended for private use only and is not suitable for commercial use. Use the product only as described in this operating manual. Any other use is improper and may lead to product damage or even personal injury. This product is not a toy.

The manufacturer or retailer assumes no liability for damage caused by improper or incorrect use.

### Explanation of symbols

The following symbols are used in this user manual, on the product or on the packaging.



This symbol provides you with useful additional information on handling and use.



Declaration of conformity (see chapter "Declaration of conformity"): Products marked with this symbol meet all the applicable Community regulations of the European Economic Area.



The "GS" (Tested Safety) certification mark confirms the product's compliance with the German Product Safety Act (ProdSG for short).



This symbol identifies devices that belong to the protection class II.



The product is designed for interior use only.

## Safety

The following signal words are used in this user manual.

**⚠ WARNING!**

This signal symbol/word denotes a hazard with an average risk level that could lead to death or severe injury if it is not avoided.

**⚠ CAUTION!**

This signal symbol/word denotes a hazard with a low risk level that could lead to mild or moderate injury if it is not avoided.

**NOTE!**

This signal word provides a warning about potential material damage.

### Safety notes

**⚠ WARNING!**

#### Risk of electric shock!

Faulty electric installation or excess mains voltage can cause an electric shock.

- Only plug in the product if the mains voltage in your household matches the information shown on the rating plate.
- Only connect the product to an easily accessible outlet so that you can quickly disconnect it from the power supply in the event of a malfunction.
- Do not operate the product with an external dimmer.
- Do not use the product if there is visible damage or if the power plug is defective.
- Do not open the housing; have repairs performed by qualified experts. Contact a specialist service centre.
- No liability is assumed and warranty claims shall be excluded in the case of unauthorised repairs, improper connection or incorrect operation.
- Do not open the housing and do not insert any objects into the housing.

- Do not operate the product by means of an external timer or separate remote-control system.
- Keep the product away from water and other fluids.
- Only use the product in indoor rooms. Never operate it in damp rooms or in the rain.
- Never store or use the product where it can fall into a tub or sink. Do not use the product if it has fallen into water.
- If you are not using the product, are cleaning it, or in the event of a malfunction, always turn the product off and disconnect it from the mains voltage.

**⚠ WARNING!**

**Danger to children and persons with reduced physical, sensory or mental abilities (e.g. partially disabled, elderly persons with reduced physical and mental abilities) or lack of experience and knowledge (e.g. older children).**

- Children aged 8 years and older as well as persons with reduced physical, sensory or mental abilities or a lack of experience and knowledge may only use this product if they are supervised or have been given instruction on using the product in a safe way and understand the hazards involved.
- Children may not play with the product.
- Children must not clean or service the device unsupervised.
- Keep children under 8 away from the product.
- Do not leave the product unattended when in use.

**⚠ CAUTION!**

**Risk of injury!**

The light of the LEDs is very bright and can damage your eyes when looking directly at them.

- Do not look directly into the light of the LEDs.
- Do not look at the LEDs with an optical instrument while the product is in operation.

## **NOTE!**

### **Risk of damage!**

Improper assembly can damage the product.

- Stop using the product if any of its components are cracked or deformed. Only replace damaged components with matching original spare parts.
- Do not let the product come into contact with hot parts.
- Never expose the product to high temperatures, extreme cold or weather influences.
- Protect the product against strong vibrations and blows.
- Always switch the product off if it is not in use.
- The light source of this luminaire is not replaceable; when the light source reaches its end of life the whole luminaire shall be replaced.

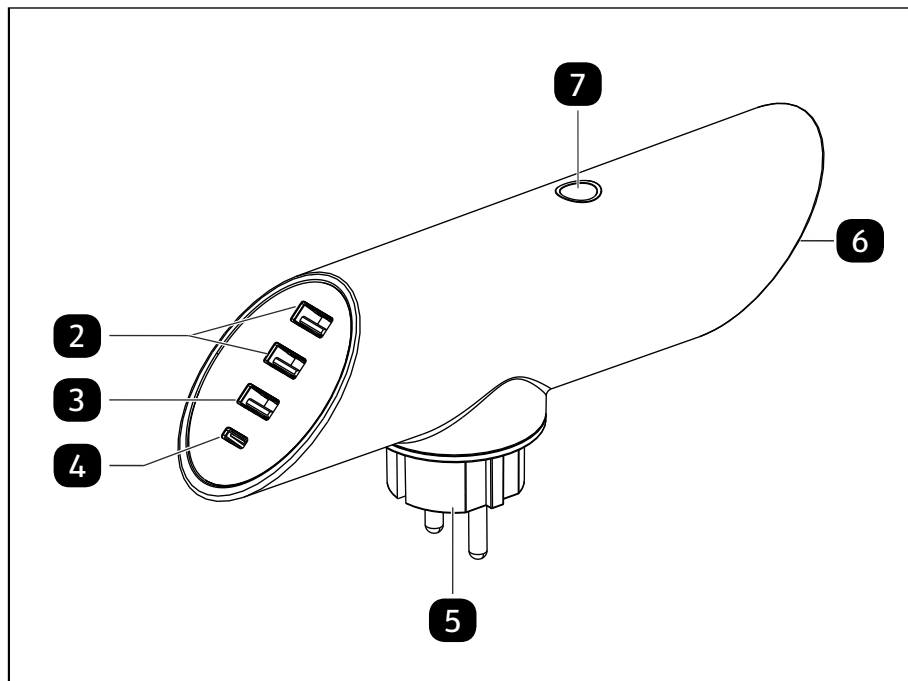
### **Before first use**

#### **Package contents**

Please check that the delivery is complete prior to first use and notify us within 2 weeks after your purchase if the delivery is not complete.



## Operation



2 USB charging port type A, 2,4 A

3 USB charging port type A, QC3.0

4 USB charging port type C, PD 20W

5 Power plug

6 Lamp

7 ON/OFF button

### Connecting the product

- Plug the power plug **5** into a properly installed outlet.

The ON/OFF button **7** is lit.

## Switching the light on and off

- Press the ON/OFF button **7**.

*The lamp **6** is switched on (lowest brightness setting).*

- Press the ON/OFF button again.

You can set 3 brightness levels (minimum, medium, maximum).

*The brightness increases.*

- Press the ON/OFF button again at maximum brightness.

*The lamp is switched off.*

## Charging/operating a USB device



The maximum power is only available at the USB ports when the lamp is switched off.

- Connect your USB device with a suitable cable to one of the USB ports on the product.

*The USB device is supplied with power.*

- Disconnect your USB device from the product if you are done charging or using it.

## Cleaning

### NOTE!

### Risk of short circuit!

If water or other liquids enter the housing, they can cause a short circuit.

- Do not immerse the product in water or other liquids.
- Make sure that no water or other liquid gets inside the housing.

### NOTE!

### Risk of damage!

Improper handling of the product can damage the product.

- Do not use any harsh cleaning products, brushes with metal or nylon bristles, or sharp or metallic cleaning appliances such as knives, hard scrapers or similar. They may damage the surfaces.


- Never wash the product in the dishwasher. This would destroy the product.
1. Before cleaning, remove the power plug from the outlet.
  2. Wipe the product with a slightly damp cloth. Then let it dry completely.

## Storage

Allow the product to cool down completely. All parts must be completely clean and dry before they are put away.

- Always store the product in a dry place.
- Protect the product from direct sunlight.
- Store the product out of the reach of children, in a safe place at a storage temperature between 5 °C and 20 °C (room temperature).

## Technical data

Model:	SWC 100
Supply voltage:	100–240 V~ 50/60 Hz, 0,9 A max.
LED illuminant:	3 brightness settings 1W max.
Protection class:	II 
Dimensions:	202 x 52 x 92,3 mm
Weight:	200 g

### USB port

Output USB 1 (Type A):	5 V ===, 2,4 A, 12 W max.
Output USB 2 (Type A):	5 V ===, 2,4 A, 12 W max.
Output USB 3 (Type A):	QC3.0: 5V === 3A; 9V === 2A; 12V === 1,5A; 18W max.
Output USB 4 (Type C):	PD: 5V === 3A; 9V === 2,22A; 12V === 1,67A; 20W max.
Output USB 1+ USB 2:	5 V ===, 3 A, 15 W max.
Output USB 3+ USB 4:	5 V ===, 3 A, 15 W max.

# Disposal

## Disposing of packaging



Dispose of packaging according to type. Sort the paperboard and cardboard as waste paper and the film as recyclable material.

## Dispose of old electrical device

Applicable in the European Union and other European countries with systems for separate collections of recyclable waste.



### **Old electrical products may not be disposed of as household waste!**

If the product cannot be used anymore, each consumer **is obligated by law to dispose of old products separately from household waste**, e.g. at a municipal/city district collection point. It is thereby ensured that old products are professionally recycled and negative effects on the environment are avoided. Therefore, electrical products are marked with the above symbol.

## Declaration of conformity

agent C GmbH hereby declares that the product with model number SWC 100 is in conformity with the standards prescribed by law. You can obtain the complete declaration of conformity at any time by sending an e-mail to [info@justsmart.tech](mailto:info@justsmart.tech) stating the product name.

© Copyright

This user manual may not be reprinted or copied, in full or in part, without the express permission of

agent C GmbH

An der Alster 12

20099 Hamburg, Germany

[justsmart.tech](http://justsmart.tech)

2022

This manual including all its parts is protected by copyright law. Any use outside of the strict regulations of the copyright law without the approval of agent C GmbH is not permitted and punishable by law.

This especially applies to reproductions, translations, microfilming and importing and processing in electronic systems.